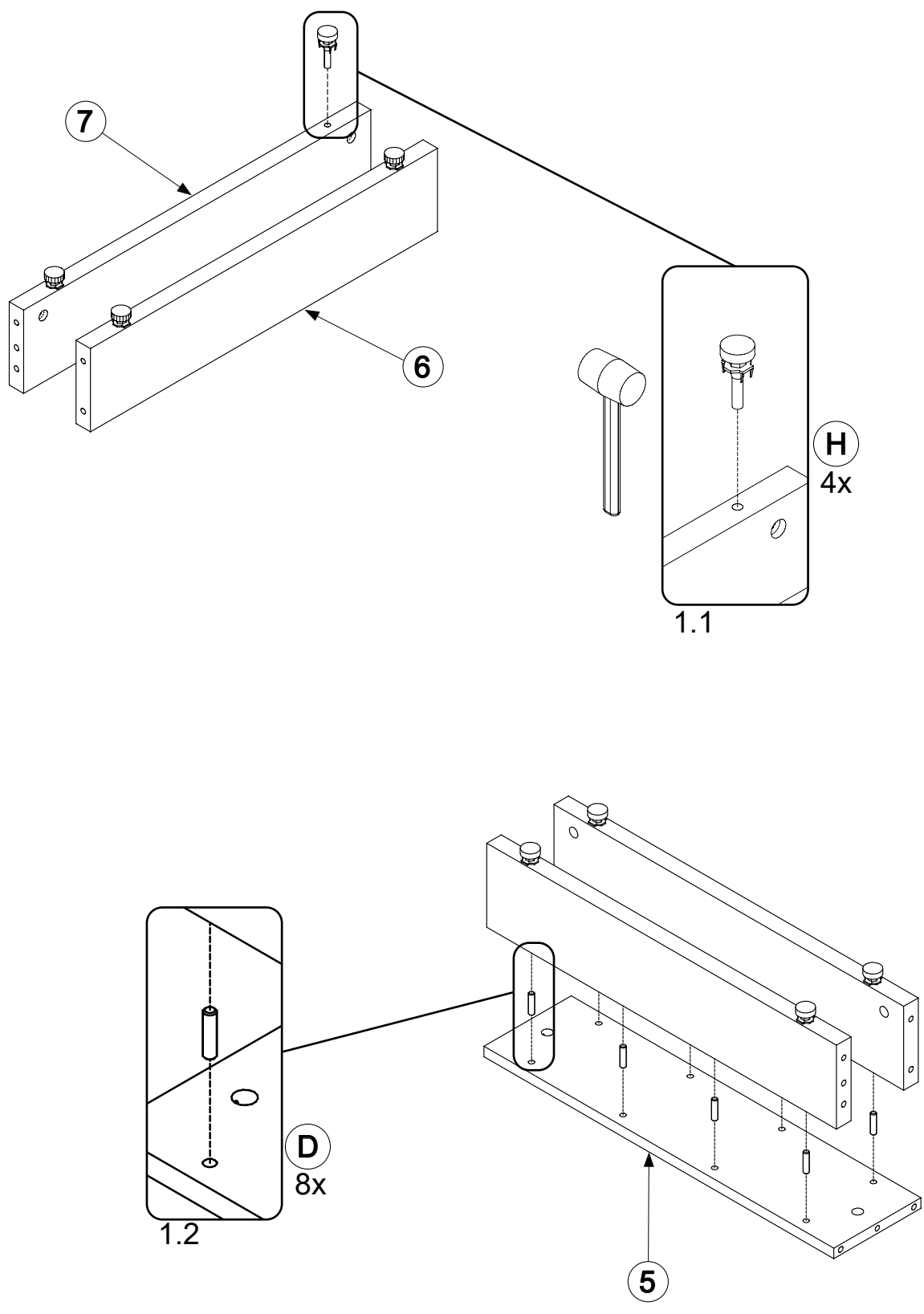
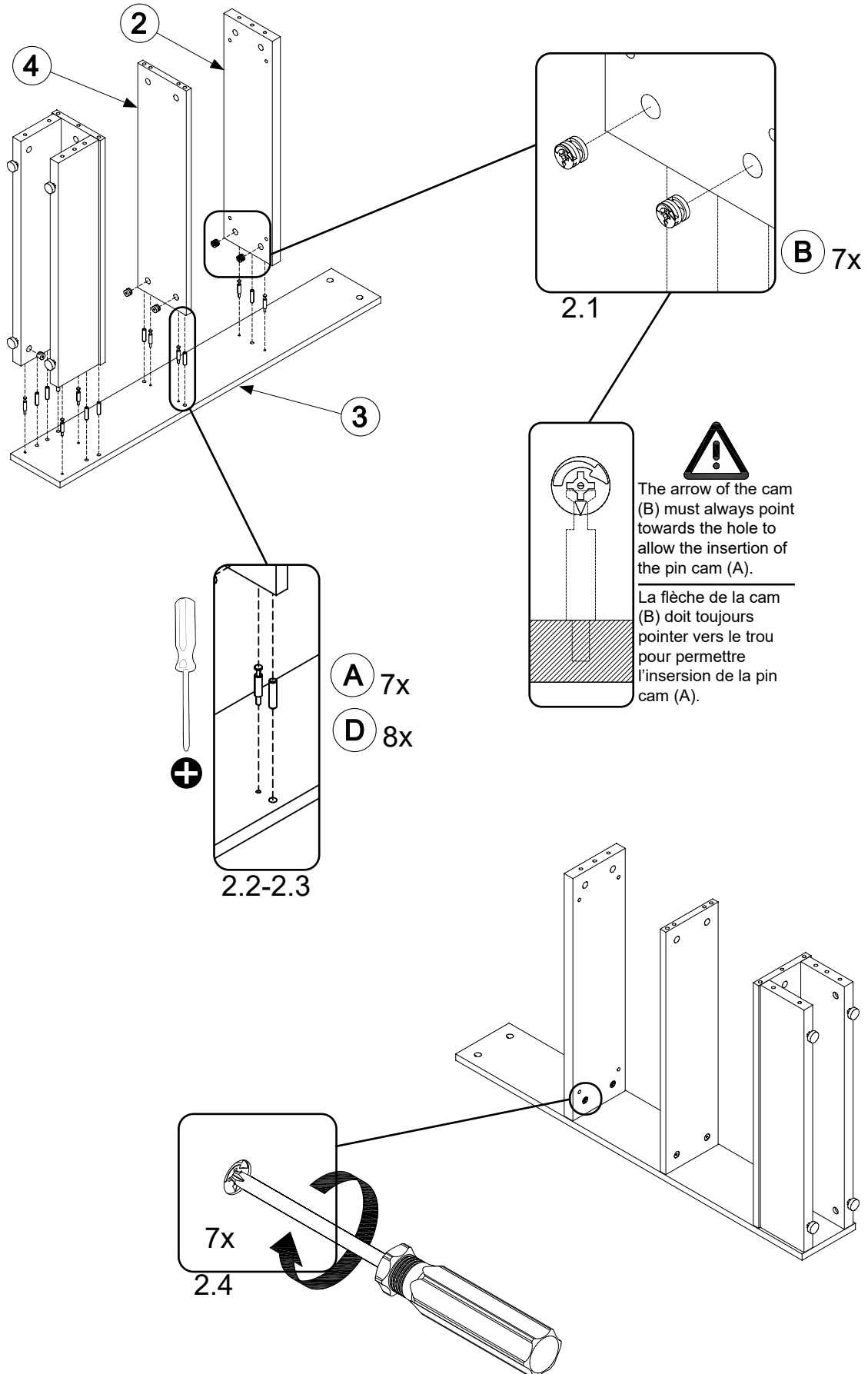


- |          |          |          |          |          |          |          |          |          |
|----------|----------|----------|----------|----------|----------|----------|----------|----------|
|          |          |          |          |          |          |          |          |          |
| 18x      | 18x      | 18x      | 26x      | 4x       | 10x      | 4x       | 4x       | 2x       |
| <b>A</b> | <b>B</b> | <b>C</b> | <b>D</b> | <b>E</b> | <b>F</b> | <b>G</b> | <b>H</b> | <b>I</b> |

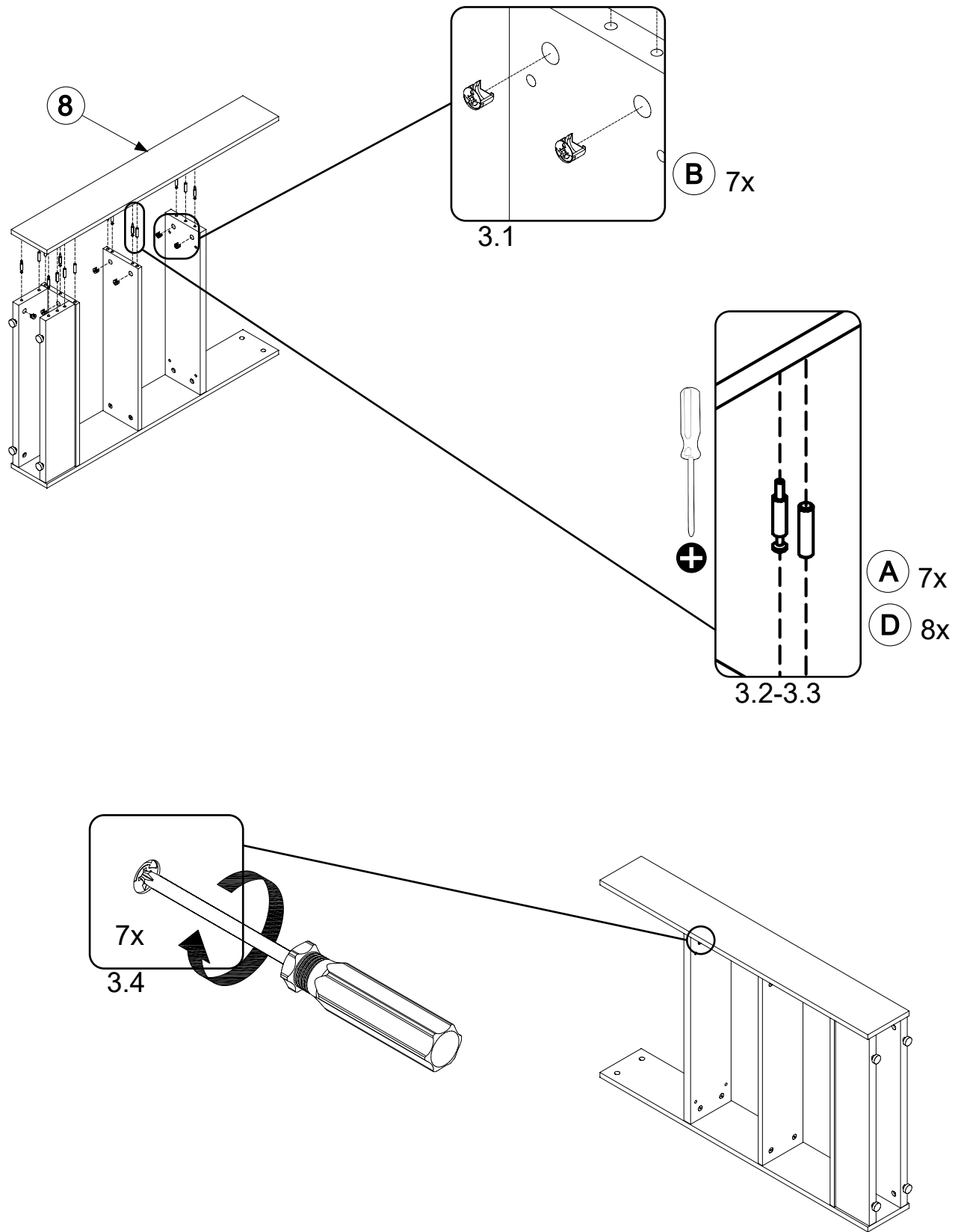
# 1 (1.1-1.2)



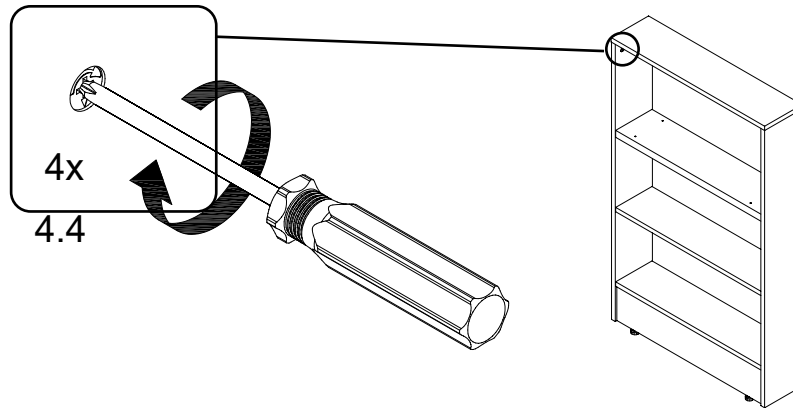
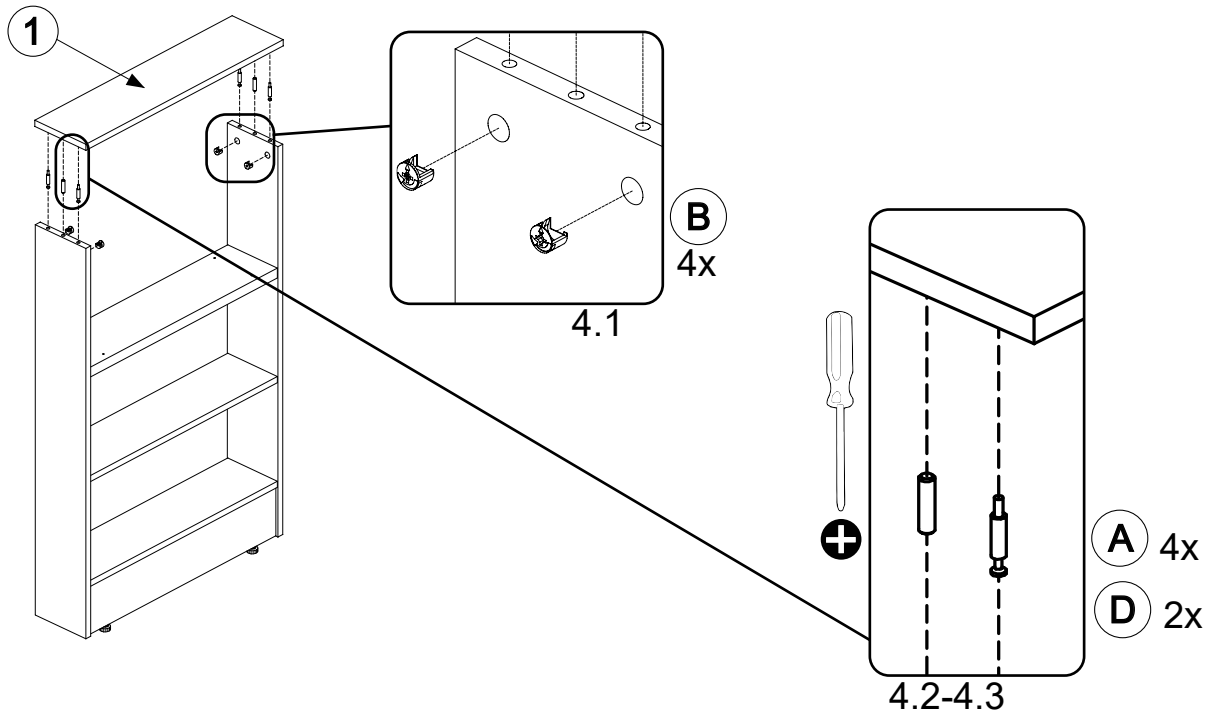
## 2 (2.1-2.4)



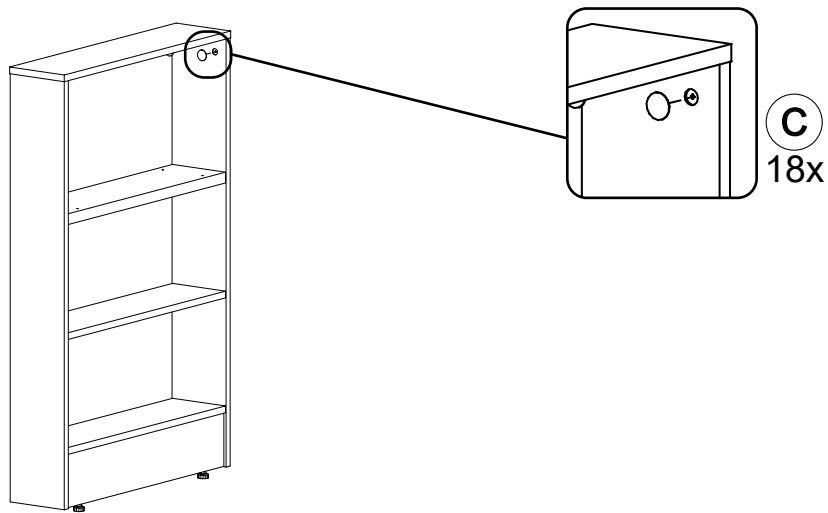
# 3 (3.1-3.4)



# 4 (4.1-4.4)

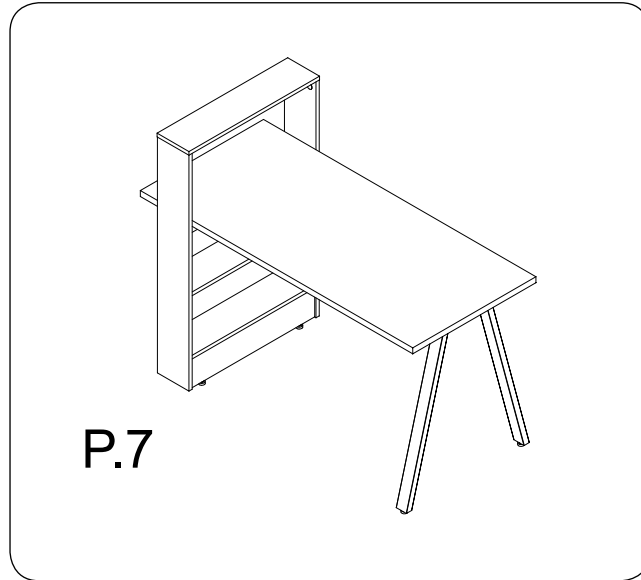


# 5



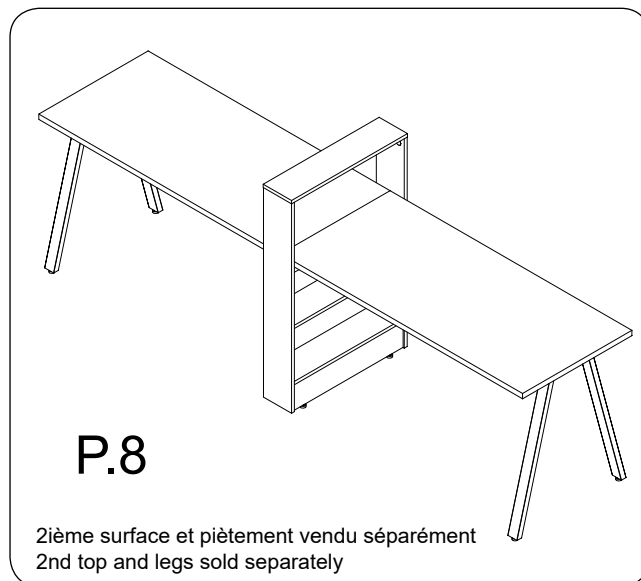
## 6A / 7A

Bureau simple  
Simple desk

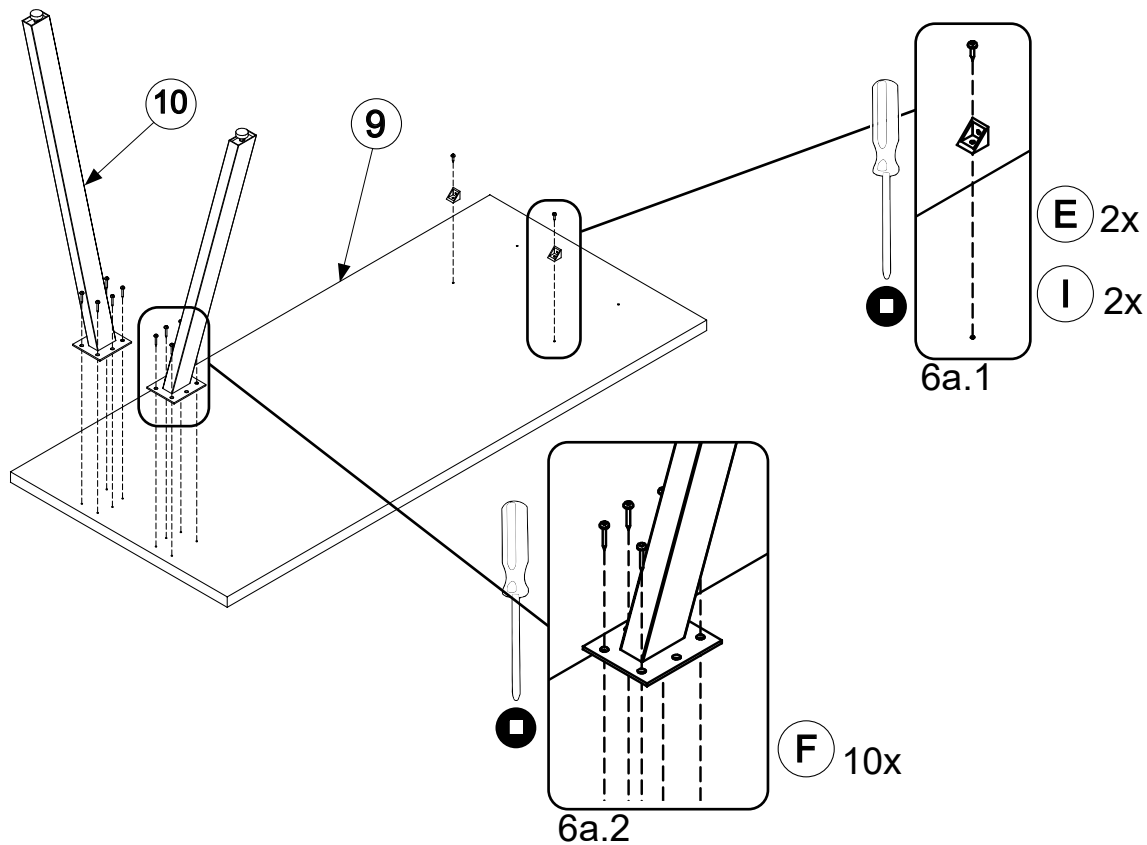


## 6B / 7B

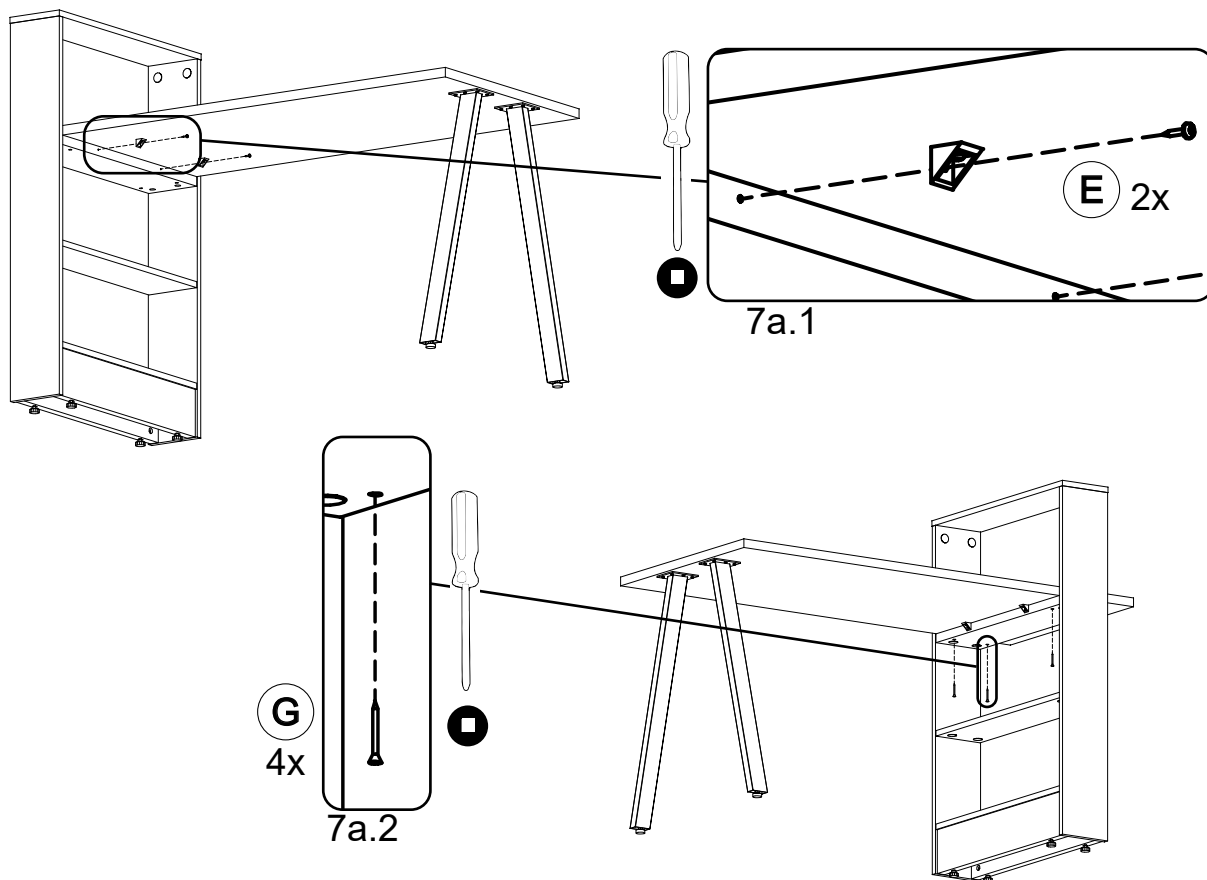
Bureau double  
Double desk



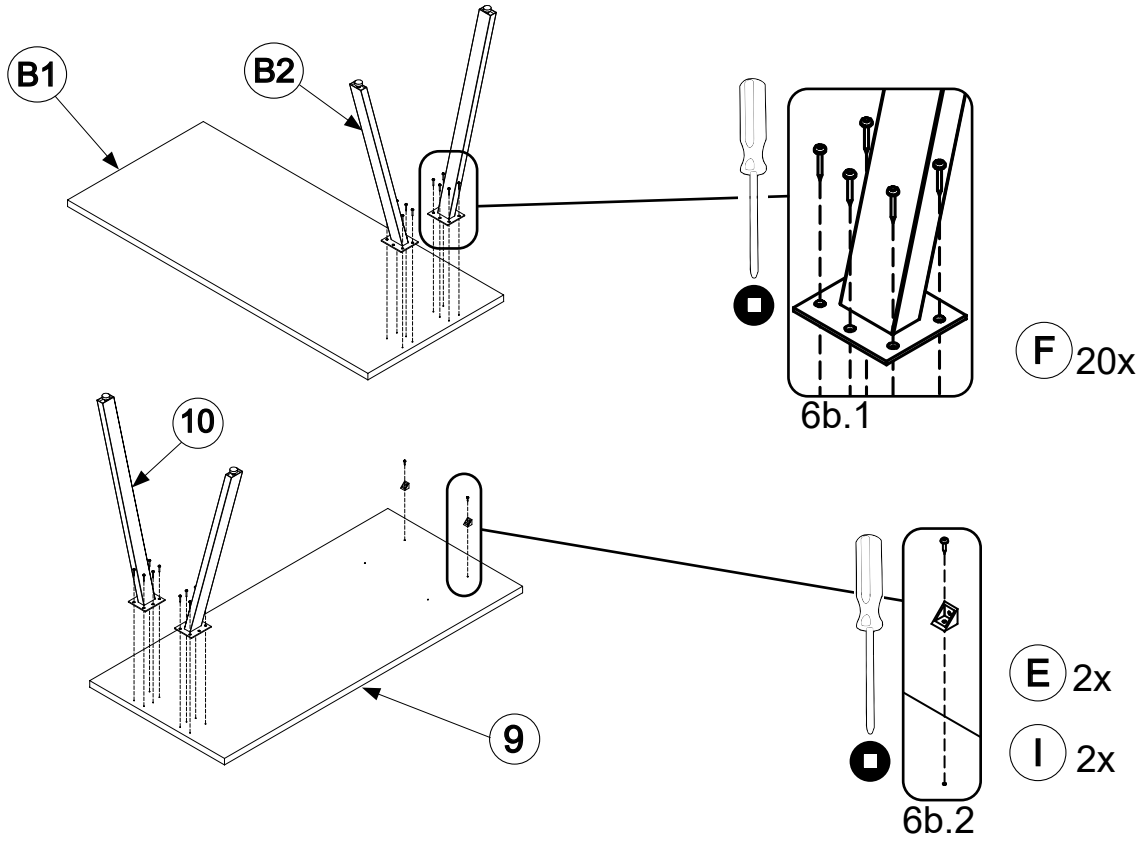
# 6A (6a.1-6a.2)



# 7A (7a.1-7a.2)



# 6B (6b.1-6b.2)



# 7B (7b.1-7b.2)

