

34x

A



34x

B



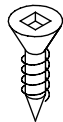
34x

C



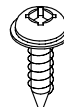
24x

D



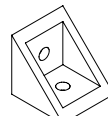
8x

E



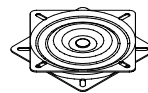
36x

F



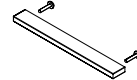
4x

G



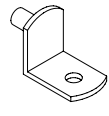
1x

H



2x

I



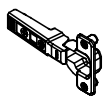
8x

J



1x

K



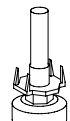
4x

L



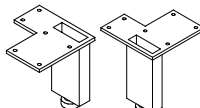
4x

M



2x

N



2x

2x

O



8x

P



4x

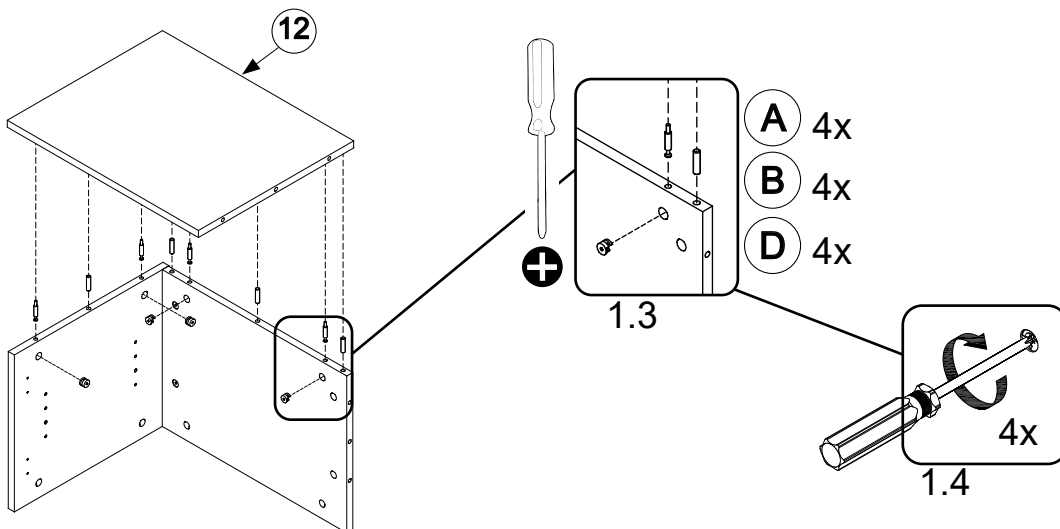
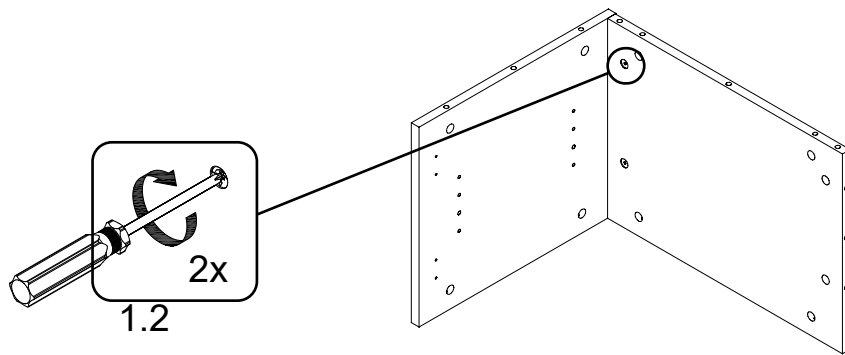
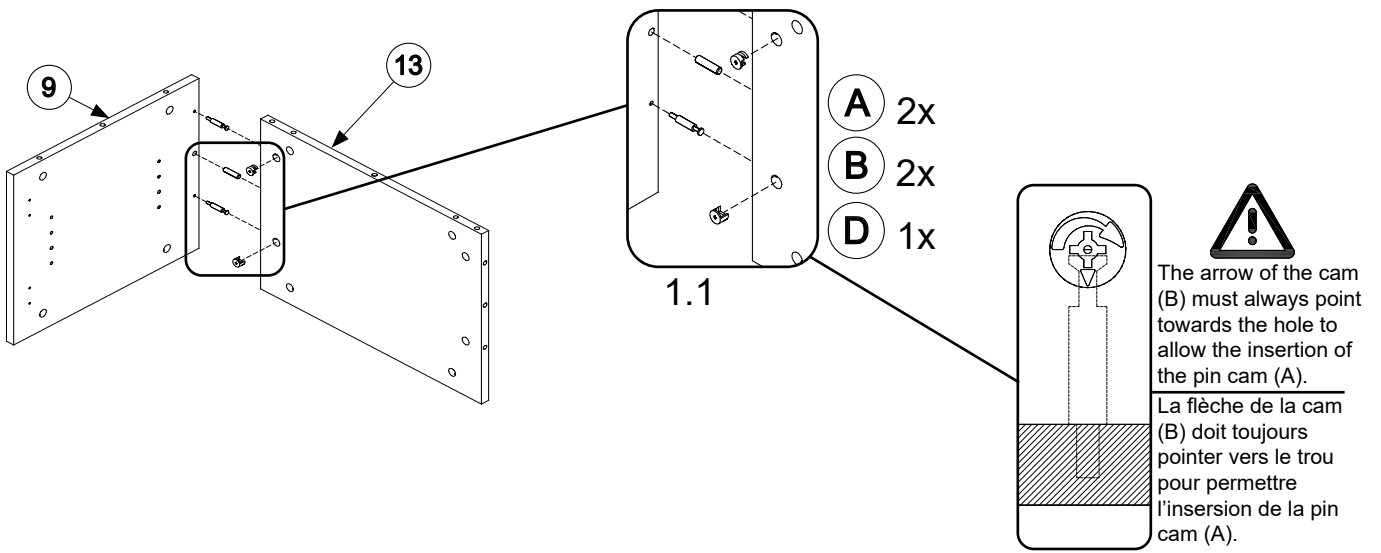
Q



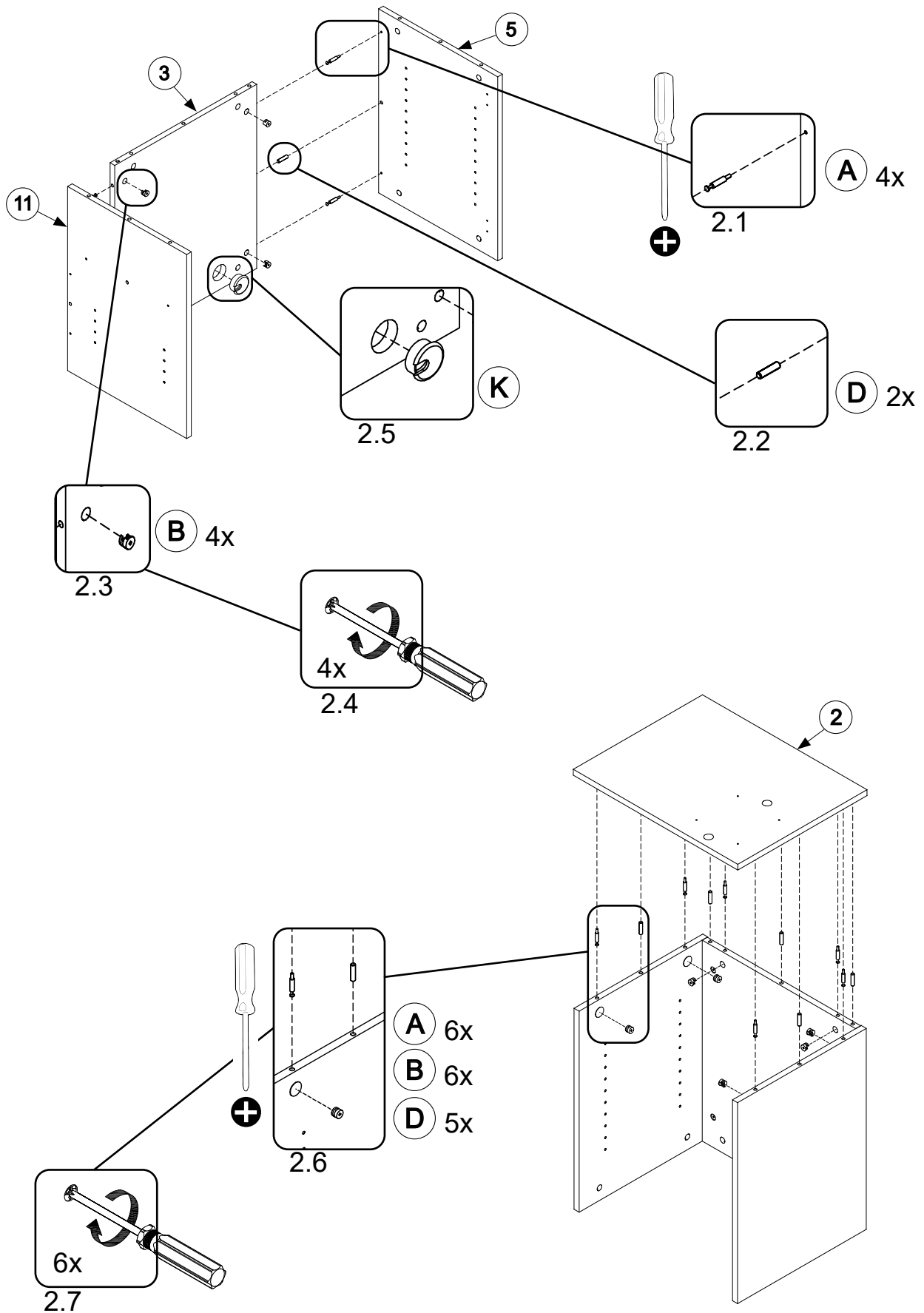
4x

R

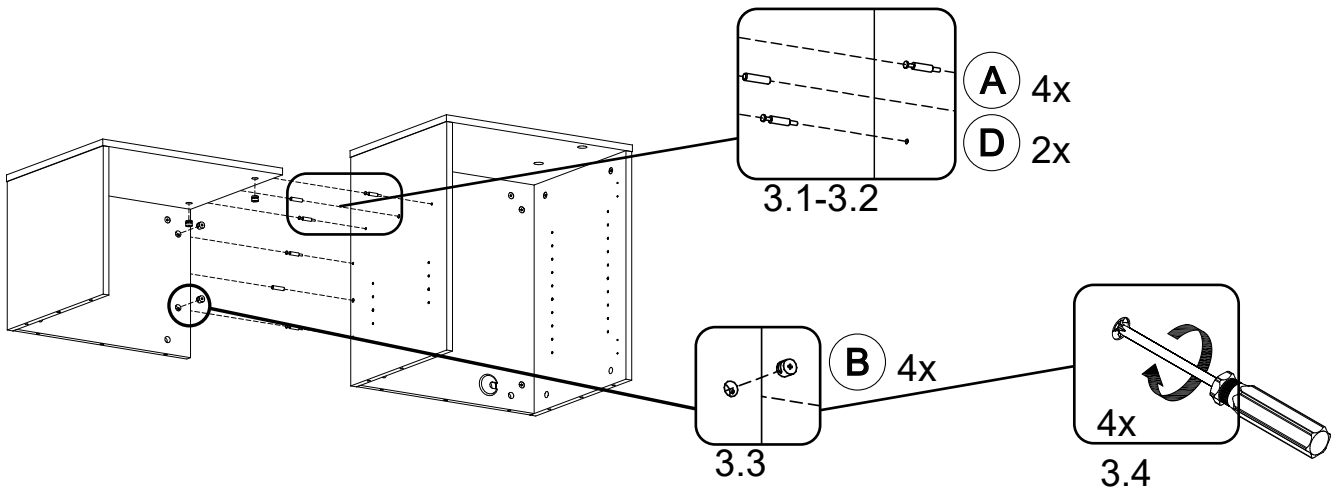
# 1 (1.1-1.4)



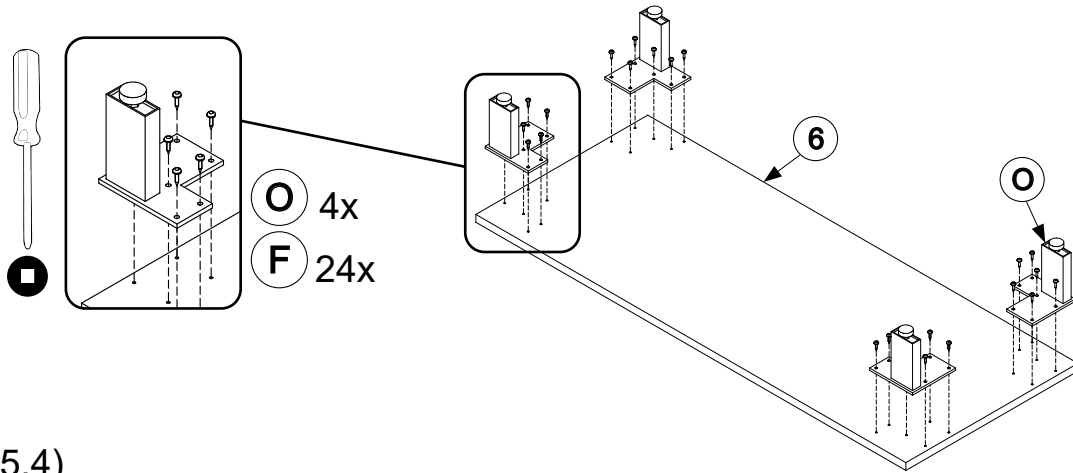
# 2 (2.1-2.7)



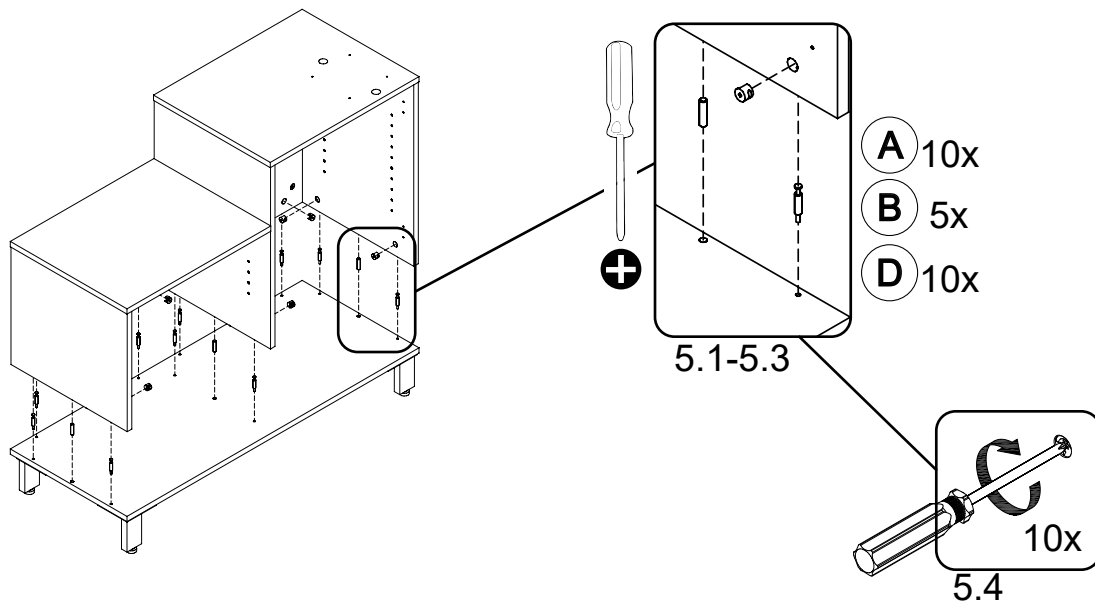
### 3 (3.1-3.4)



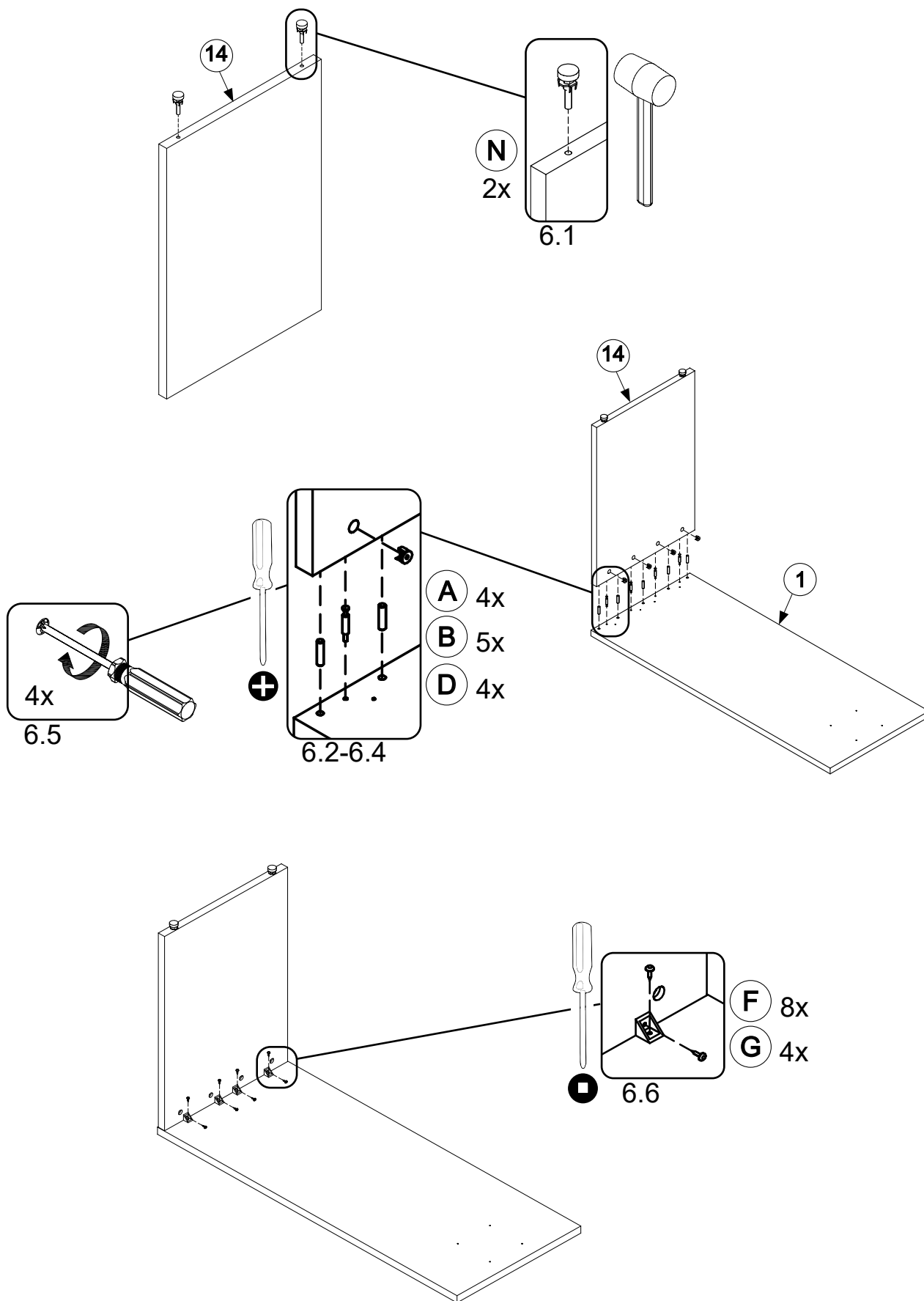
### 4



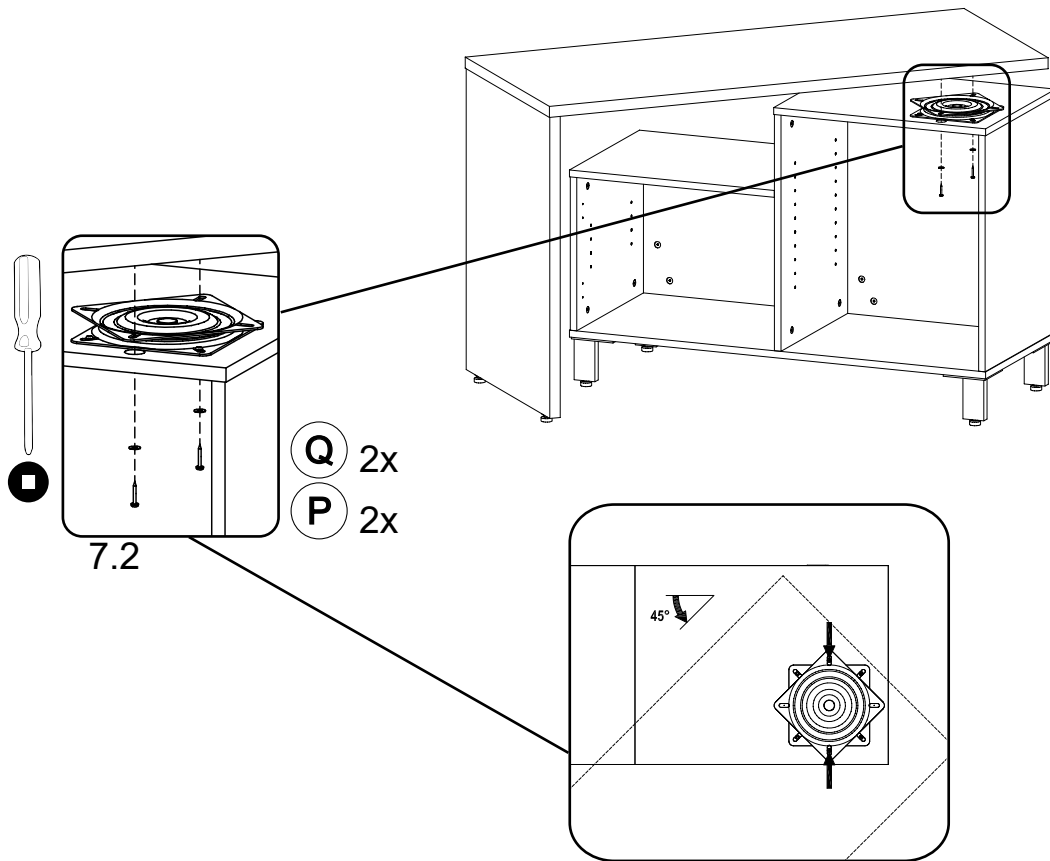
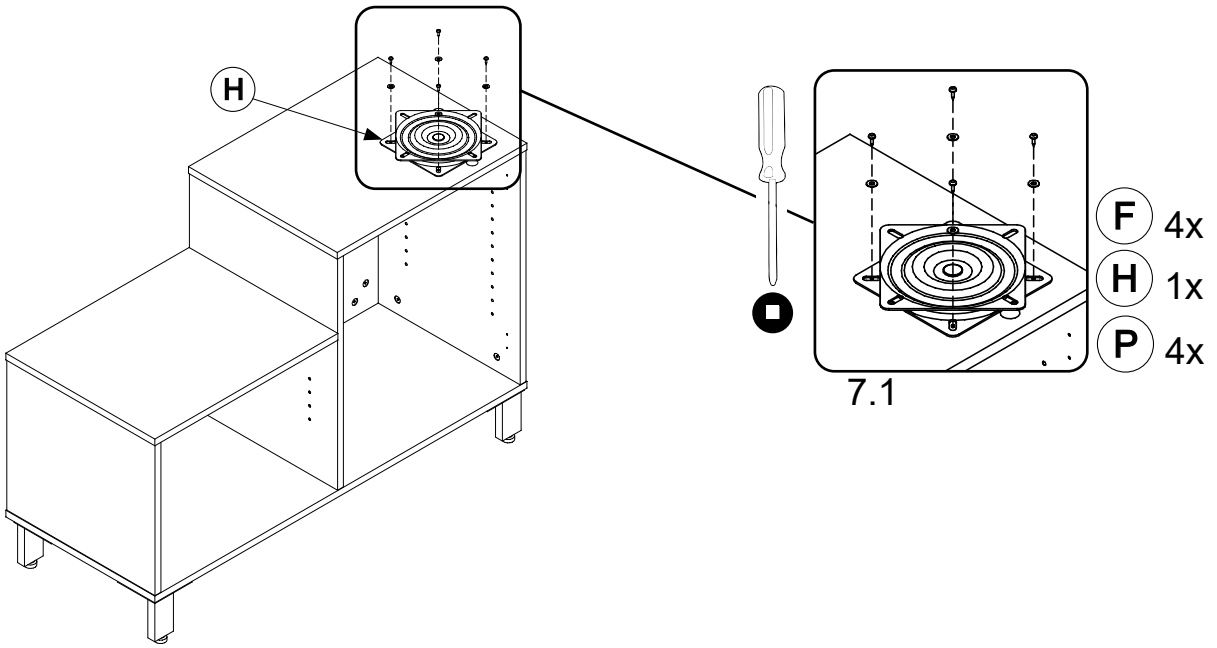
### 5 (5.1-5.4)



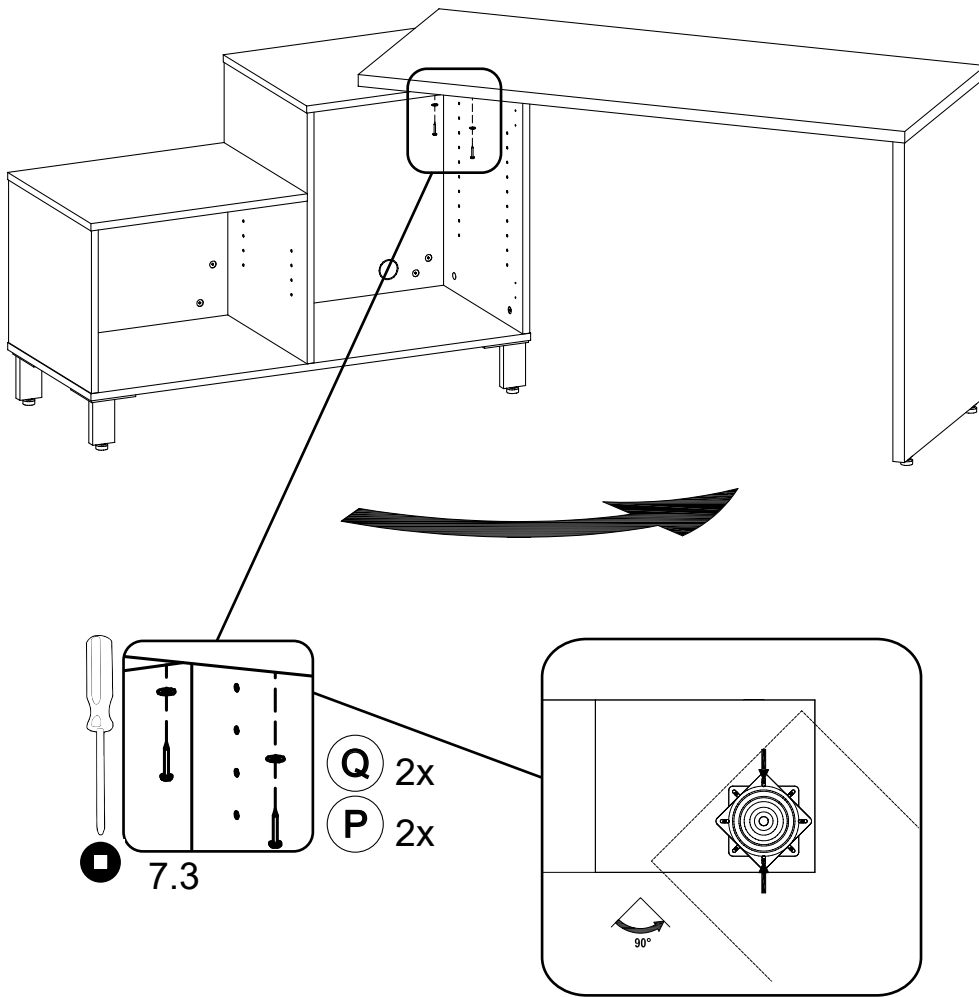
# 6 (6.1-6.4)



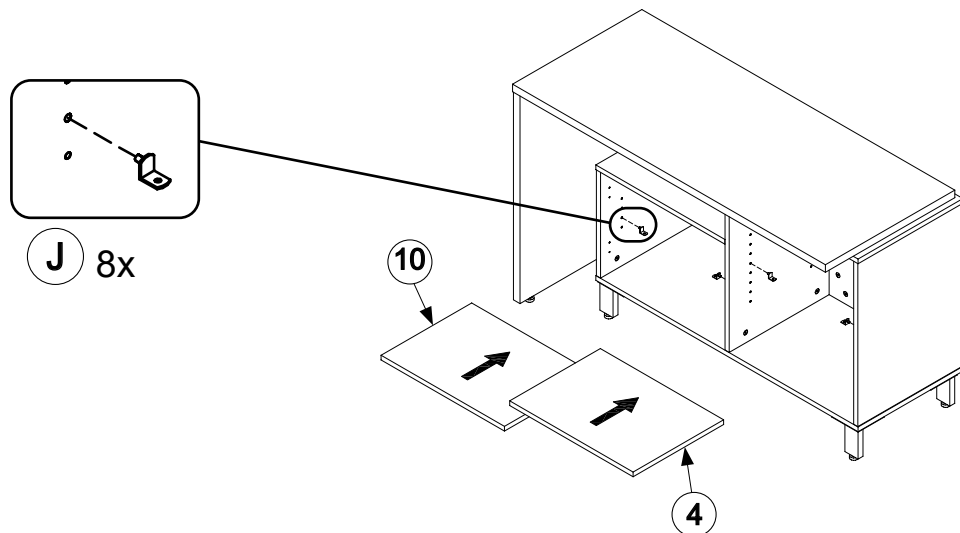
# 7 (7.1-7.3)



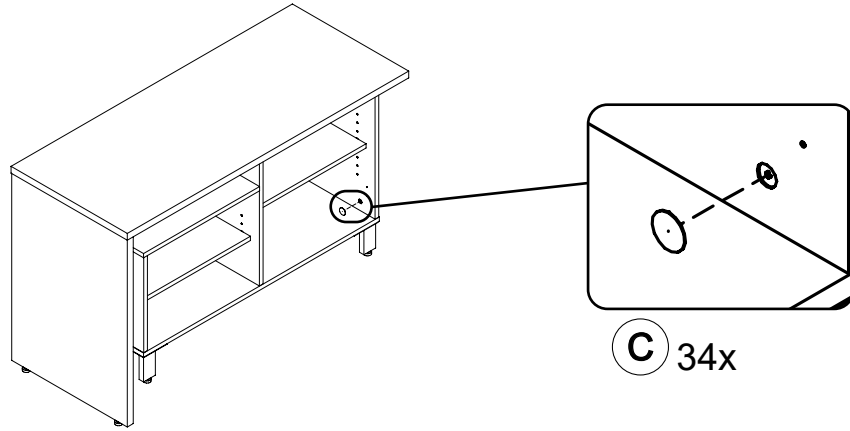
# 7 (7.1-7.3)



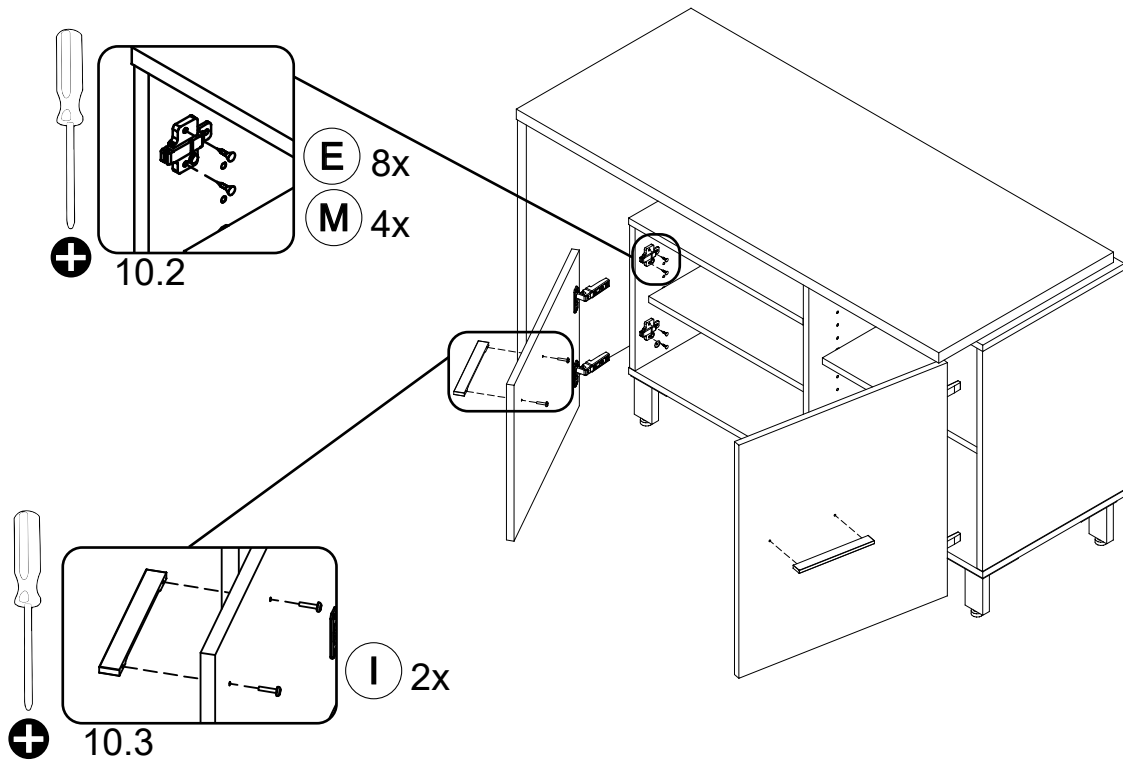
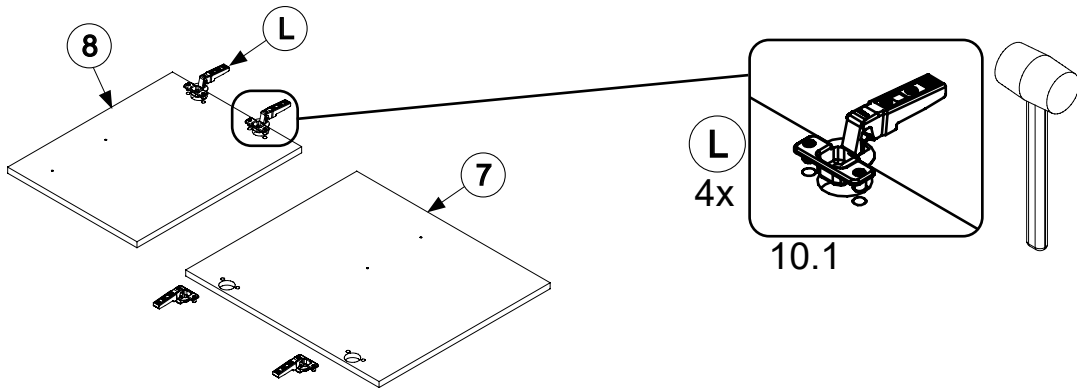
# 8



# 9



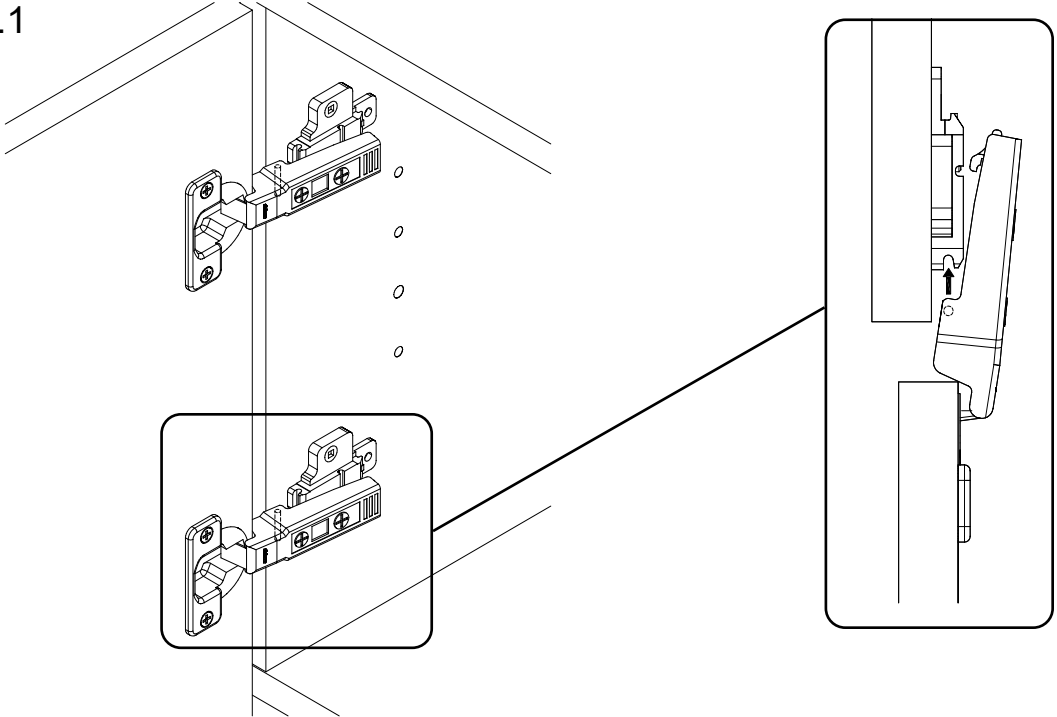
# 10 (10.1-10.4)



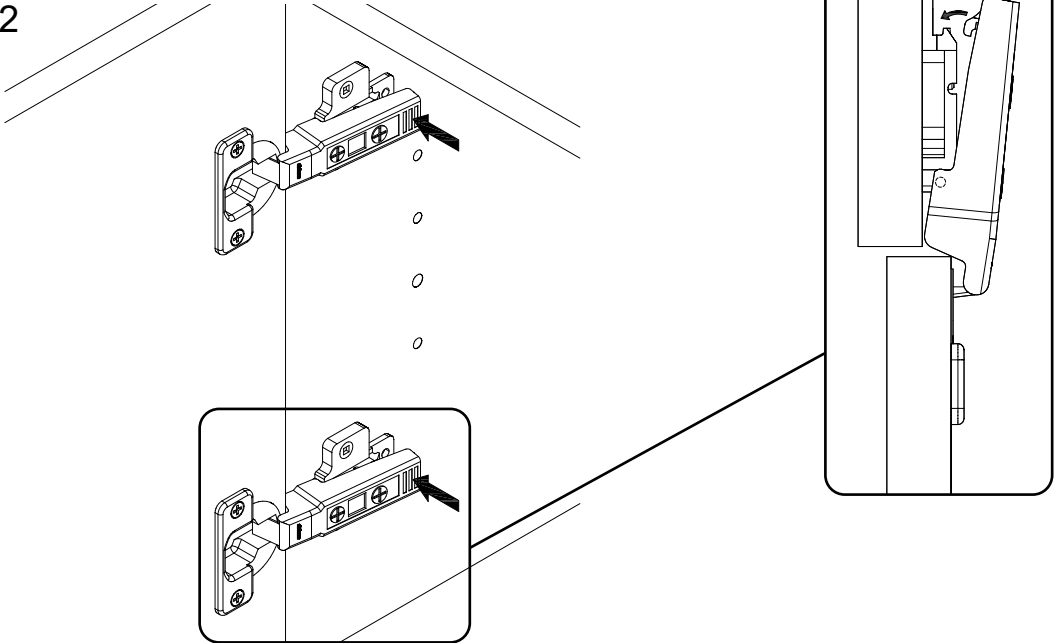


# 11 (11.1-11.2)

11.1

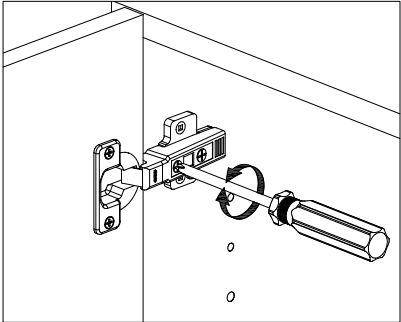
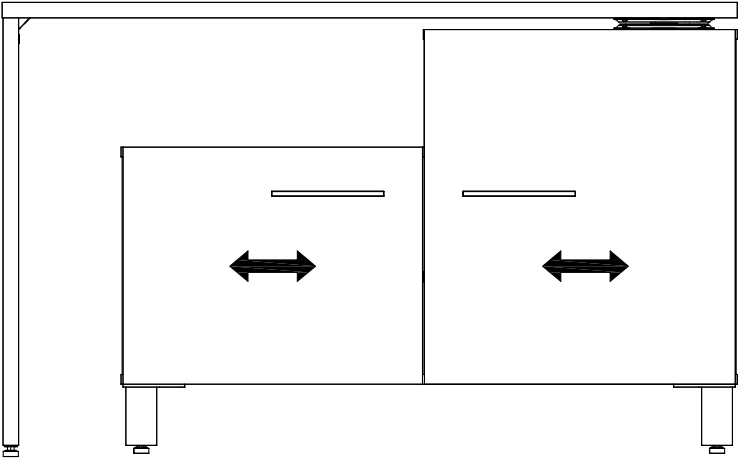


11.2

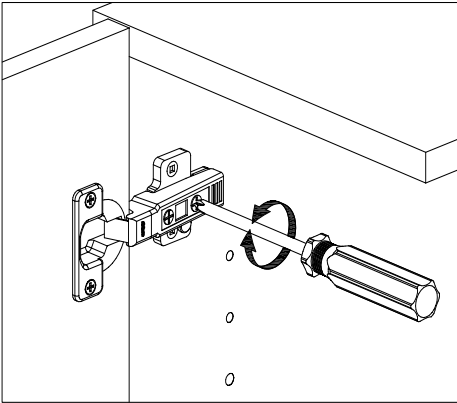
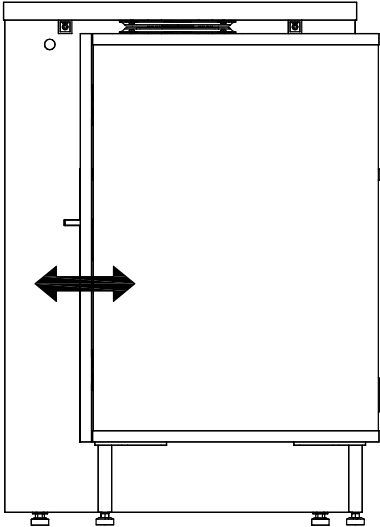


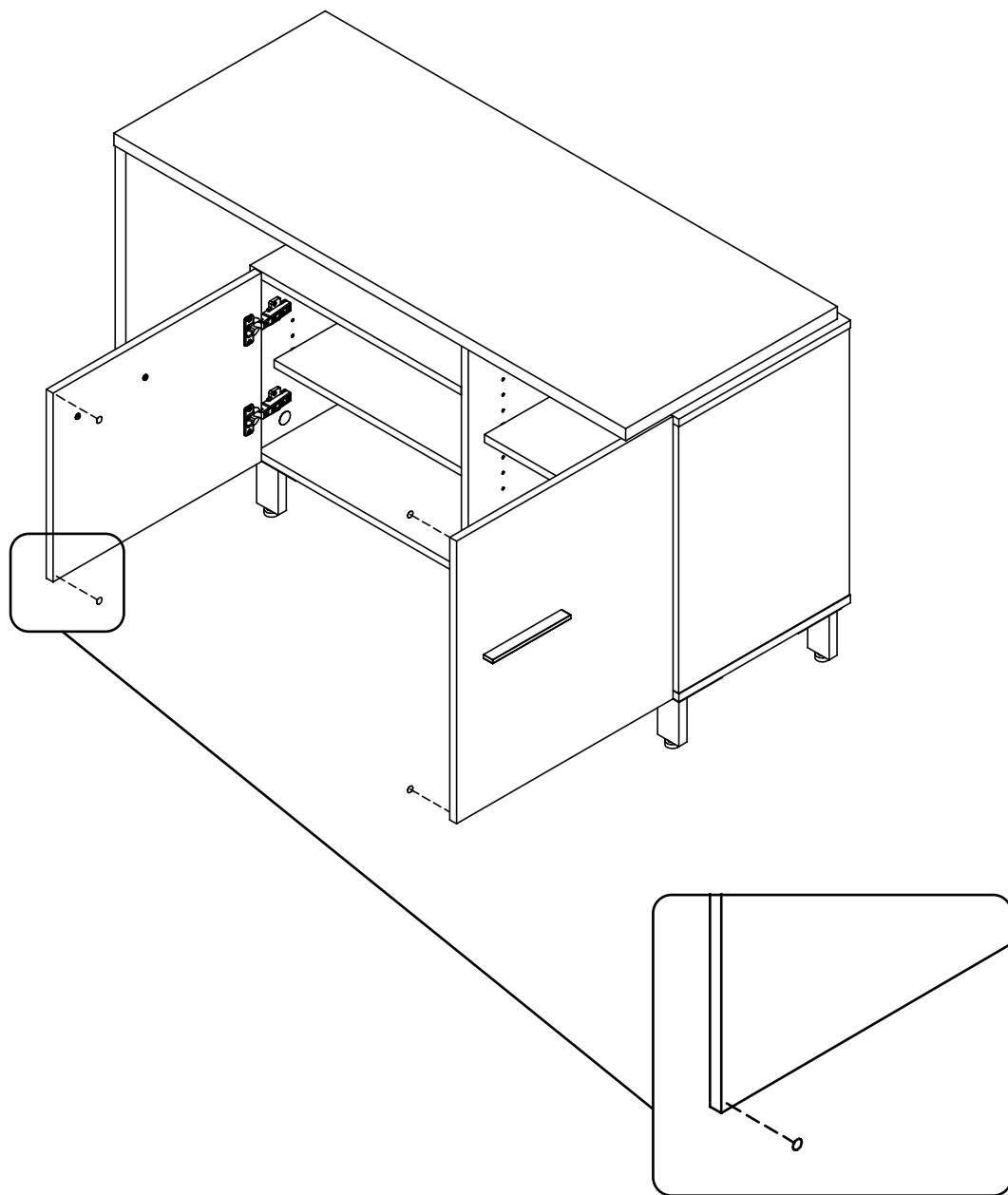
# 11 (11.3 -11.4)

11.3



11.4





**R** 4x